

REV.
A

RATIONALE

AS4702A HAS BEEN REAFFIRMED TO COMPLY WITH THE SAE FIVE-YEAR REVIEW POLICY.

AS4702

SAE Technical Standards Board Rules provide that: "This report is published by SAE to advance the state of technical and engineering sciences. The use of this report is entirely voluntary, and its applicability and suitability for any particular use, including any patent infringement arising therefrom, is the sole responsibility of the user."

SAE reviews each technical report at least every five years at which time it may be revised, reaffirmed, stabilized, or cancelled. SAE invites your written comments and suggestions.

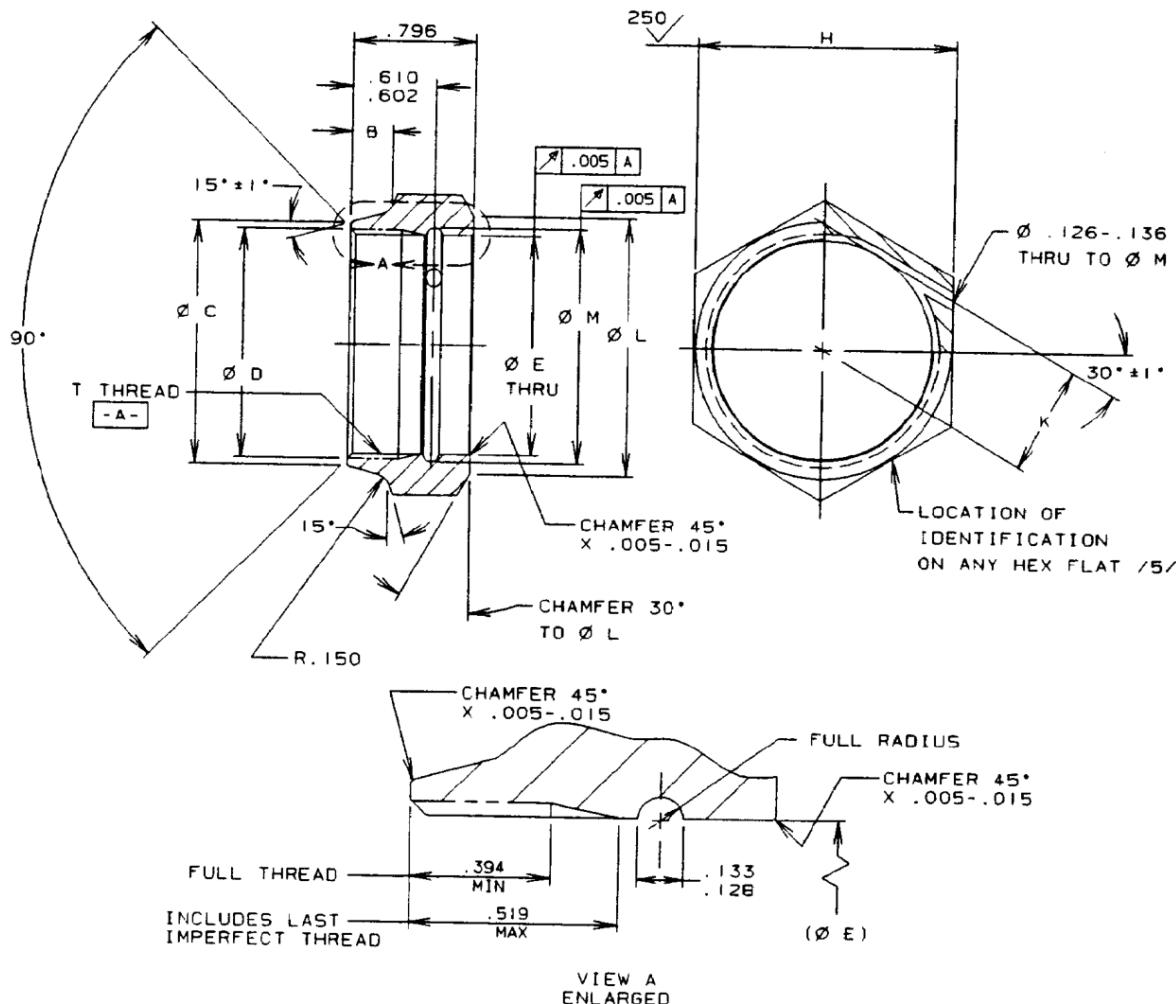
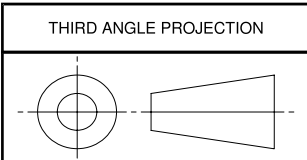


FIGURE 1 - NUT, RETAINED

TABLE 1 - DIMENSIONS AND WEIGHTS

BASIC NO. AS4702	(NOMINAL /14/ SIZE CODE	TUBE SIZE)	T THREAD PER MIL-S-8879	B	C ±.005	D	E ±.0050	H	K ±.005	L	M ±.005	LB/EA MAX ALUM	LB/EA MAX CRES	LB/EA MAX TI
20	1.250	1.5625-12 UNJ-3B	.290	1.678	1.572	1.4864	1.802-1.817	.735	1.792	1.601	.076	.211	.121	
24	1.500	1.8125-12 UNJ-3B	.272	1.928	1.822	1.7364	2.052-2.072	.858	2.042	1.848	.091	.250	.144	
28	1.750	2.1250-12 UNJ-3B	.250	2.240	2.135	2.0489	2.365-2.385	1.012	2.355	2.158	.110	.305	.175	

SAE values your input. To provide feedback on this Technical Report, please visit <http://www.sae.org/technical/standards/AS4702A>



CUSTODIAN: G-3/G-3B

PROCUREMENT SPECIFICATION: /4/ MIL-F-18280



AEROSPACE STANDARD

NUT, RETAINED, SHORT FLARELESS

AS4702
SHEET 1 OF 3

REV. A

ISSUED 1992-07 REVISED 1994-12 REAFFIRMED 2015-04